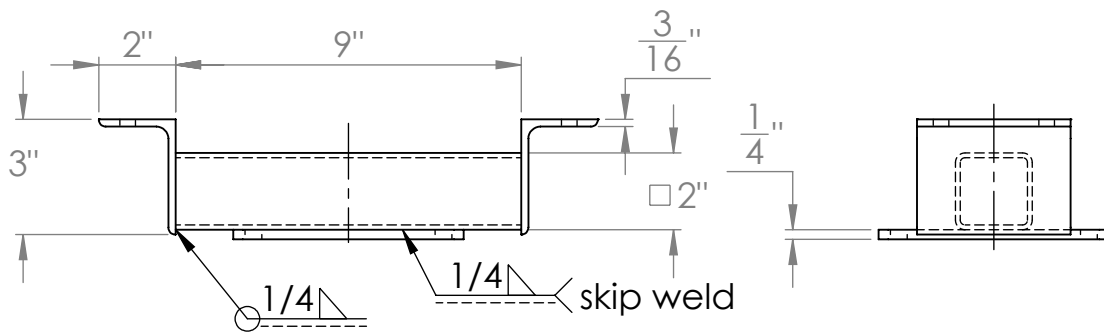
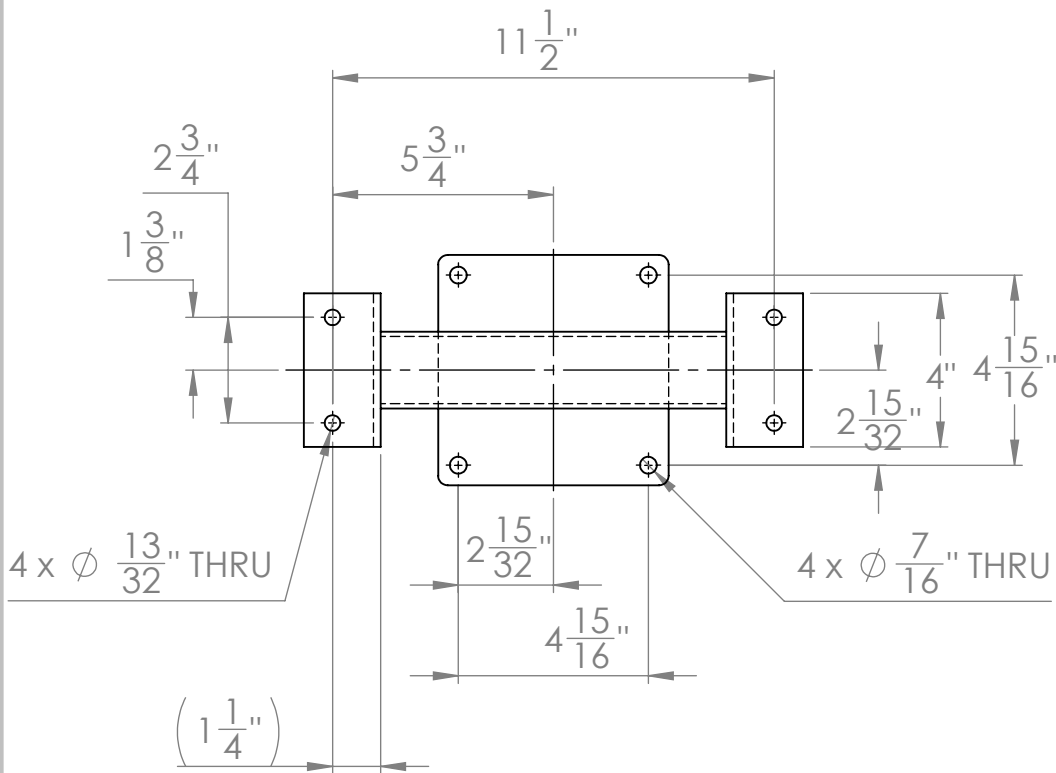


2

1

B

B



A

A

PROPRIETARY AND CONFIDENTIAL
 THE INFORMATION CONTAINED IN THIS DRAWING IS THE SOLE PROPERTY OF SOLIEX, INC. , ANY REPRODUCTION IN PART OR AS A WHOLE WITHOUT THE WRITTEN PERMISSION OF SOLIEX, INC. IS PROHIBITED.

		DIMENSIONS ARE IN INCHES TOLERANCES: FRACTIONAL ± ANGULAR: MACH ± BEND ± TWO PLACE DECIMAL ± THREE PLACE DECIMAL ±		NAME	DATE
			DRAWN	DG	
			CHECKED		
			ENG APPR.		
			MFG APPR.		
			Q.A.		
			COMMENTS:		
NEXT ASSY	USED ON	MATERIAL Plain Carbon Steel			
		FINISH			
APPLICATION		DO NOT SCALE DRAWING			

SOLIEX, INC
Mast Mount

SIZE	DWG. NO.	REV.
A	126.1831	
SCALE:1:5	WEIGHT:	SHEET 1 OF 1

2

1