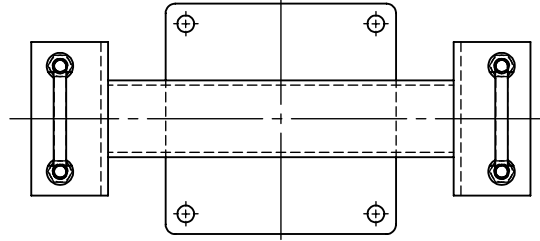


2

1

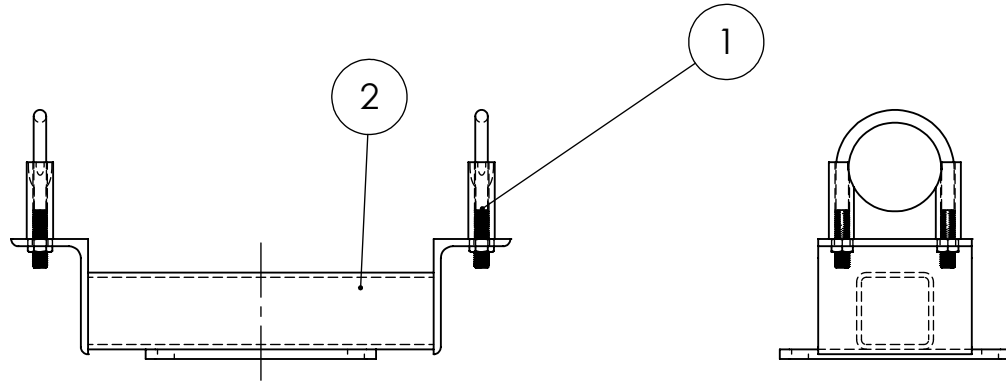
ITEM NO.	PART NUMBER	DESCRIPTION	QTY.
1	3042T56	Clamping U-Bolt	2
2	126.1831	Mast Mount	1

HARDWARE: McMaster-Carr



B

B



A

A

PROPRIETARY AND CONFIDENTIAL
 THE INFORMATION CONTAINED IN THIS DRAWING IS THE SOLE PROPERTY OF SOLIEX, INC. , ANY REPRODUCTION IN PART OR AS A WHOLE WITHOUT THE WRITTEN PERMISSION OF SOLIEX, INC. IS PROHIBITED.

		DIMENSIONS ARE IN INCHES TOLERANCES: FRACTIONAL ± ANGULAR: MACH ± BEND ± TWO PLACE DECIMAL ± THREE PLACE DECIMAL ±	NAME	DATE
			DRAWN	
			CHECKED	
			ENG APPR.	
			MFG APPR.	
		COMMENTS:		
NEXT ASSY	USED ON	FINISH		
APPLICATION		DO NOT SCALE DRAWING		

SOLIEX, INC.			
Mounting Bracket			
SIZE	DWG. NO.	REV.	
A	126.1830		
SCALE:1:5	WEIGHT:	SHEET 1 OF 1	

2

1