

4

3

2

1

FOR EDUCATIONAL PURPOSES ONLY

This is but one way to construct a tower. No determination has been made of the suitability, use at own risk.

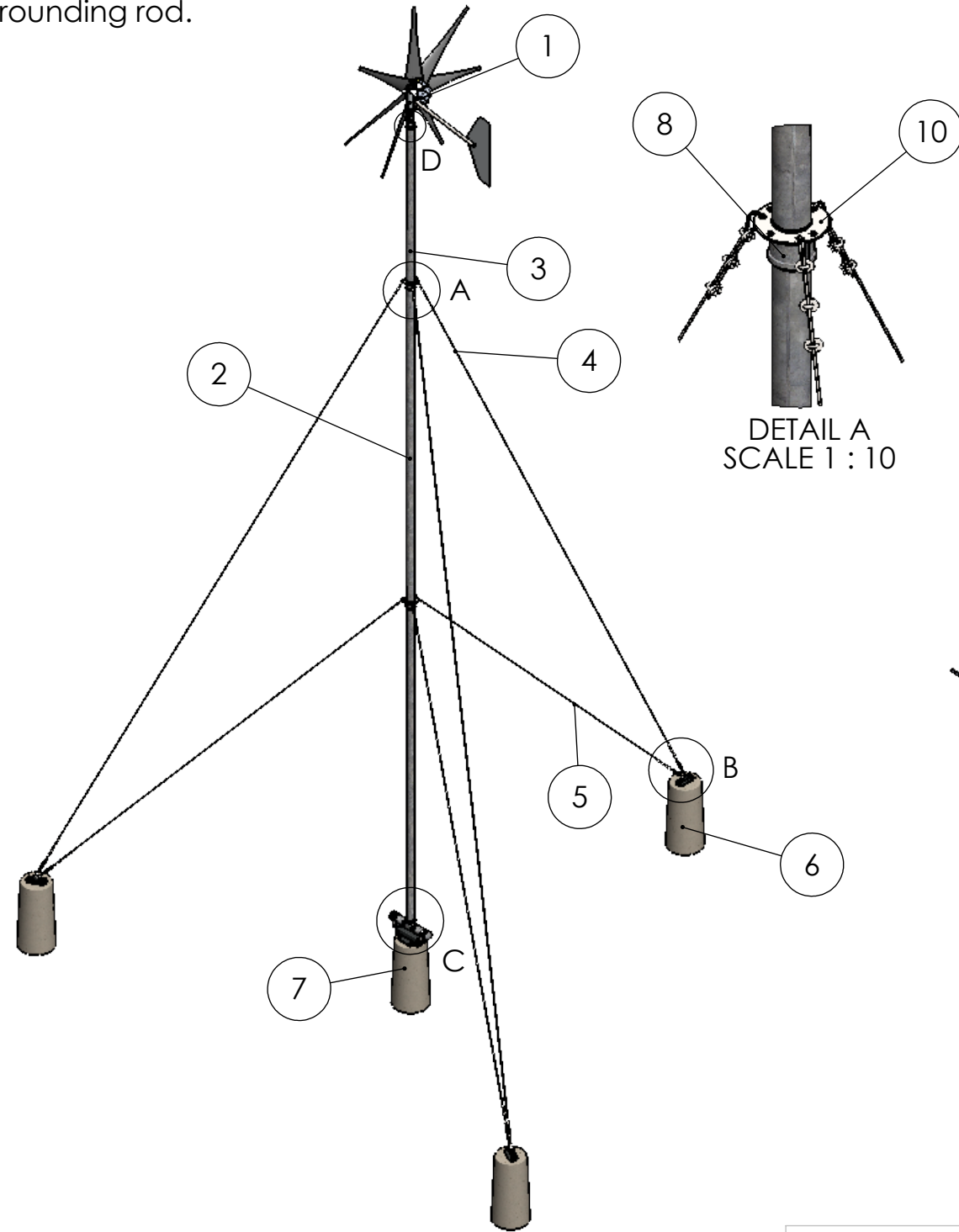
A ground strap should be attached to the tower from a grounding rod.

HARDWARE; McMaster-Carr  
Guy Wire Ring: Missouri Wind & Solar

ITEM NO.	PART NUMBER	DESCRIPTION	-01/QTY.
1	126.1000	Turbine Tail	1
2	126.1802	Lower Mast Pipe 2" x 120"	2
3	126.1802	Upper Mast Pipe 2" x 60"	1
4	126.1804	Guy Wire Assembly	3
5	126.1805	Guy Wire Assembly	3
6	126.1810	Guy Wire Base	3
7	126.1820	Mast Base	1
8	44605K189	2" Pipe Coupling	2
9	44605K328	2" Pipe to 1-1/4" Pipe Reducer	1
10	GY34RING	Guy Wire Ring	2
11	44605K159	2" Pipe T	1
12	44605K657	2" Pipe Cap	2
13	44615K489	2" Pipe x 6"	2

B

B



DETAIL A  
SCALE 1 : 10

DETAIL B  
SCALE 1 : 10

DETAIL C  
SCALE 1 : 10

DETAIL D  
SCALE 1 : 10

A

A

**PROPRIETARY AND CONFIDENTIAL**  
THE INFORMATION CONTAINED IN THIS DRAWING IS THE SOLE PROPERTY OF SOLIEX, INC. ANY REPRODUCTION IN PART OR AS A WHOLE WITHOUT THE WRITTEN PERMISSION OF SOLIEX, INC IS PROHIBITED.

		UNLESS OTHERWISE SPECIFIED:		NAME	DATE
		DIMENSIONS ARE IN INCHES		DRAWN	DG 6/26/2022
		TOLERANCES:		CHECKED	
		FRACTIONAL ±		ENG APPR.	
		ANGULAR: MACH ± BEND ±		MFG APPR.	
		TWO PLACE DECIMAL ±		Q.A.	
		THREE PLACE DECIMAL ±		COMMENTS:	
		INTERPRET GEOMETRIC TOLERANCING PER:			
		MATERIAL			
		FINISH			
NEXT ASSY	USED ON				
APPLICATION		DO NOT SCALE DRAWING			

<b>SOLIEX, INC</b>		
TITLE: <b>Tower Assembly</b>		
SIZE <b>B</b>	DWG. NO. <b>126.1802</b>	REV
SCALE: 1:100		WEIGHT:
		SHEET 1 OF 3

4

3

2

1

4

3

2

1

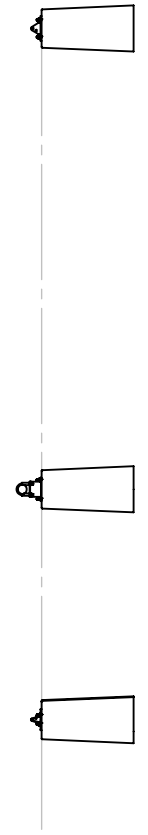
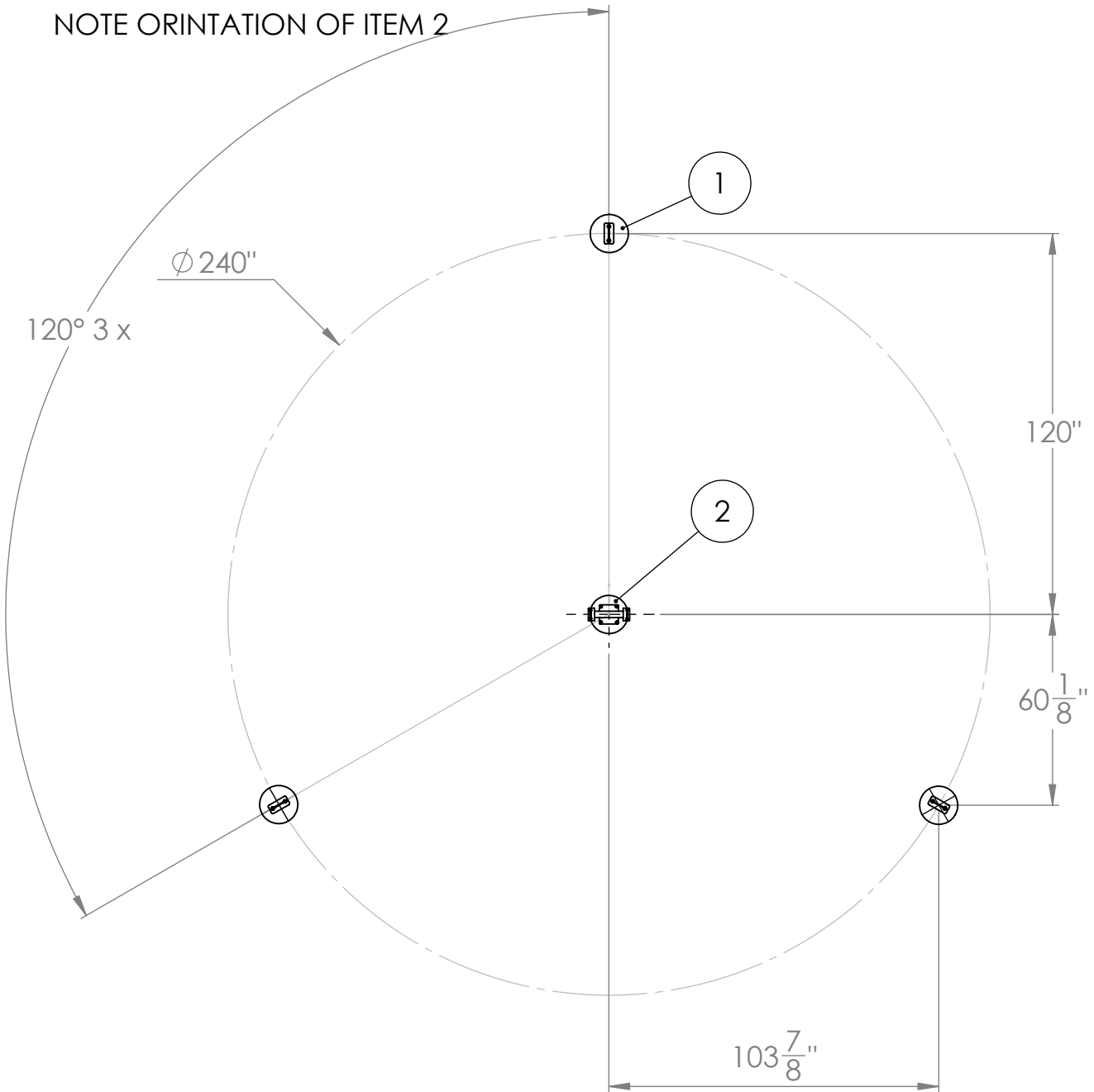
ITEM NO.	PART NUMBER	DESCRIPTION	-03/QTY.
1	126.1810	Guy Wire Base	3
2	126.1820	Mast Base	1

B

B

A

A



PILLARS SHOULD BE LEVEL

**PROPRIETARY AND CONFIDENTIAL**  
 THE INFORMATION CONTAINED IN THIS DRAWING IS THE SOLE PROPERTY OF SOLIEX, INC. ANY REPRODUCTION IN PART OR AS A WHOLE WITHOUT THE WRITTEN PERMISSION OF SOLIEX, INC IS PROHIBITED.

		UNLESS OTHERWISE SPECIFIED:	NAME	DATE	SOLIEX, INC	
		DIMENSIONS ARE IN INCHES	DRAWN	DG		
		TOLERANCES:	CHECKED		TITLE: Tower Assembly	
		FRACTIONAL $\pm$	ENG APPR.			
		ANGULAR: MACH $\pm$ BEND $\pm$	MFG APPR.		SIZE DWG. NO. REV	
		TWO PLACE DECIMAL $\pm$	Q.A.			
		THREE PLACE DECIMAL $\pm$	COMMENTS:		SCALE: 1:100 WEIGHT: SHEET 2 OF 3	
		INTERPRET GEOMETRIC TOLERANCING PER:				
		MATERIAL			SIZE <b>B</b> DWG. NO. <b>126.1802</b> REV	
		FINISH				
NEXT ASSY	USED ON				SCALE: 1:100 WEIGHT: SHEET 2 OF 3	
APPLICATION		DO NOT SCALE DRAWING				

4

3

2

1

4

3

2

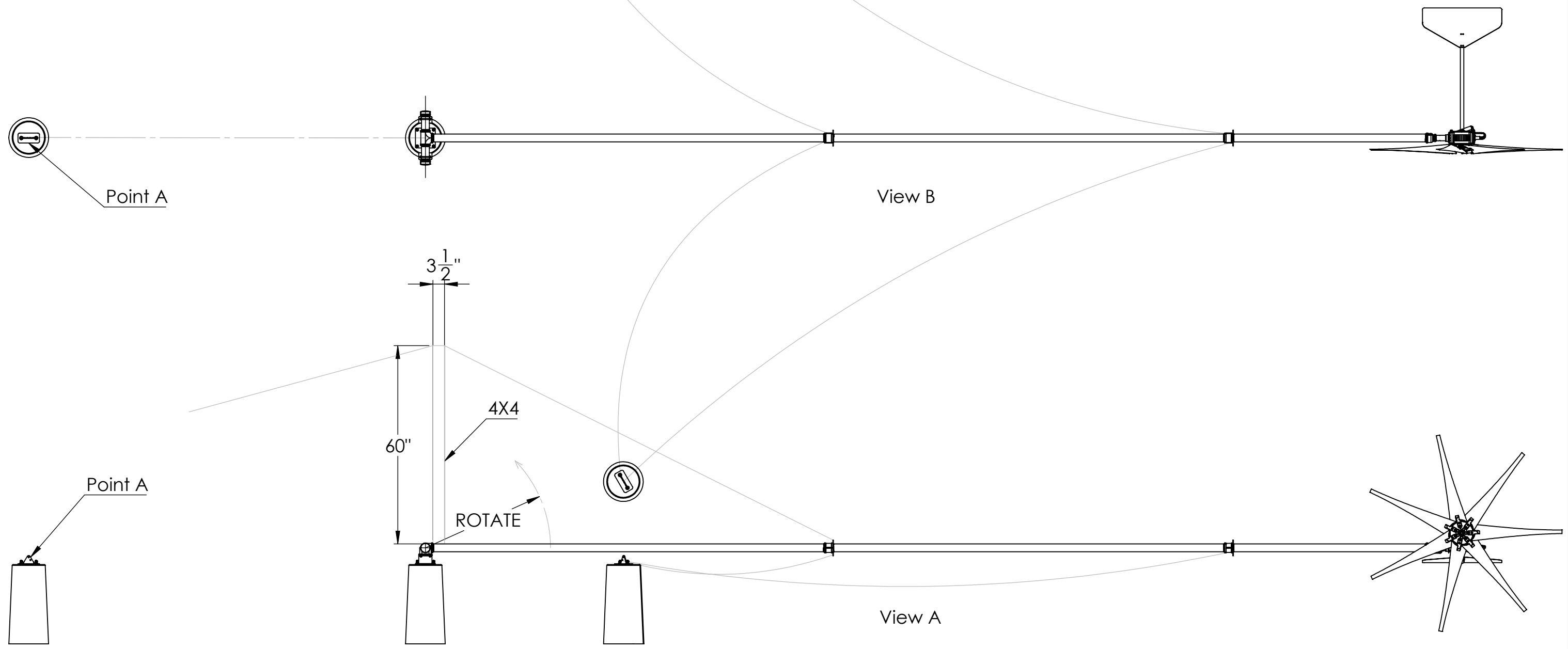
1

B

B

A

A



NOTE:

With the complete tower as shown in View A, attach all the guy wires leaving Point A un-attached.

Place a 4x4 as shown and attach a rope to pull the tower into position, then attach the guy wires at Point A.

Adjust as needed to achieve a plumb tower.

**PROPRIETARY AND CONFIDENTIAL**  
 THE INFORMATION CONTAINED IN THIS DRAWING IS THE SOLE PROPERTY OF SOLIEX, INC. ANY REPRODUCTION IN PART OR AS A WHOLE WITHOUT THE WRITTEN PERMISSION OF SOLIEX, INC IS PROHIBITED.

		UNLESS OTHERWISE SPECIFIED:		NAME	DATE	SOLIEX, INC	
		DIMENSIONS ARE IN INCHES		DRAWN	DG	6/26/2022	TITLE:
		TOLERANCES:		CHECKED			Tower Assembly
		FRACTIONAL ±		ENG APPR.			SIZE DWG. NO.
		ANGULAR: MACH ± BEND ±		MFG APPR.			<b>B</b> 126.1802
		TWO PLACE DECIMAL ±		Q.A.			REV
		THREE PLACE DECIMAL ±		COMMENTS:			SCALE: 1:100 WEIGHT: SHEET 3 OF 3
		INTERPRET GEOMETRIC TOLERANCING PER:					
		MATERIAL					
		FINISH					
NEXT ASSY	USED ON						
APPLICATION		DO NOT SCALE DRAWING					

4

3

2

1